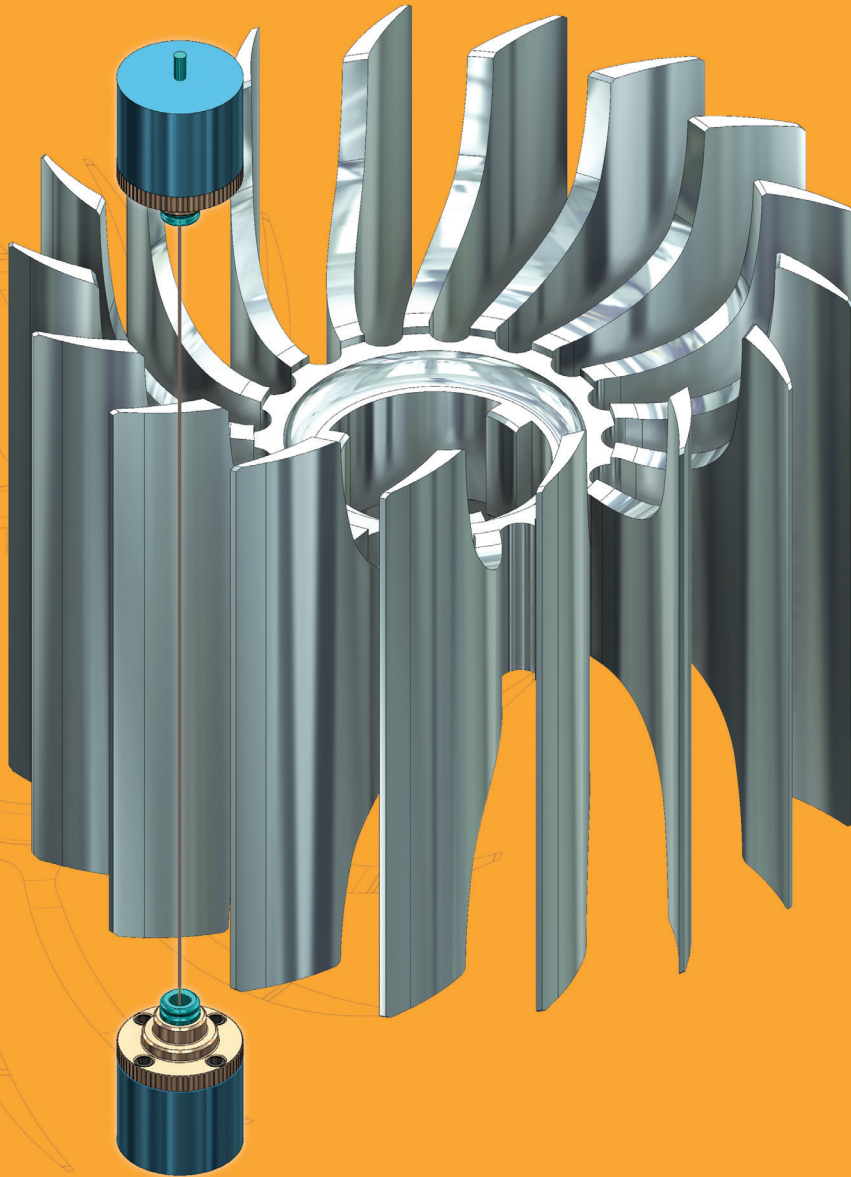


WIRE



Mastercam Wire delivers powerful, comprehensive wirepaths
in a streamlined, easy-to-use interface.

Mastercam 2021

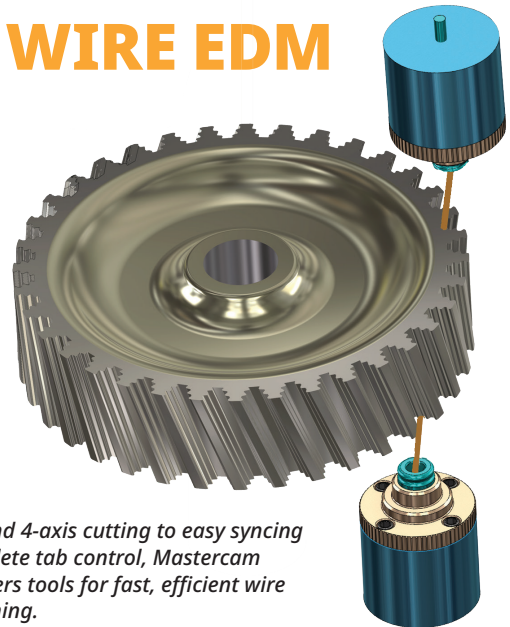
MASTERCAM CONTROL FOR WIRE EDM

Designed for efficiency.

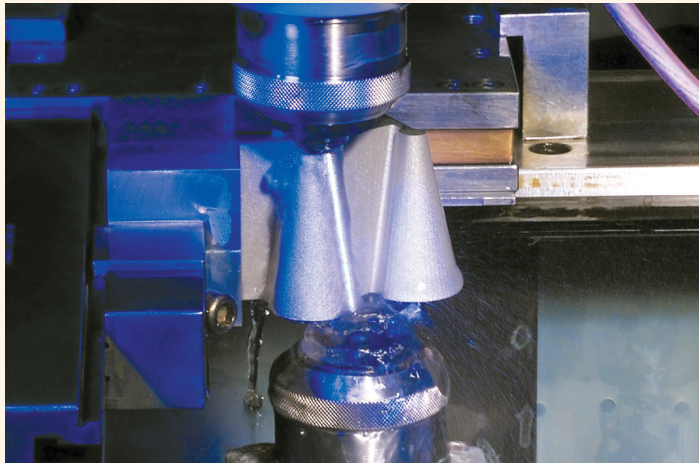
Mastercam Wire lets you move a single part file between machines, saving time and avoiding mistakes. User-customizable wire libraries store power settings and other registers for rough and skim passes.

Other features include:

- Efficient tab creation and management.
- Control settings for corner types and taper angles at any point in the contour.
- Straight or tapered cut from either direction.



From 2- and 4-axis cutting to easy syncing and complete tab control, Mastercam Wire delivers tools for fast, efficient wire programming.



Having the best software is only one of many ingredients for success.

A global community of Mastercam users, experts, educators, and enthusiasts helps you get the most from your investment. Mastercam Resellers bring years of experience, helping to ensure that you are getting the most practical and comprehensive support in the industry.

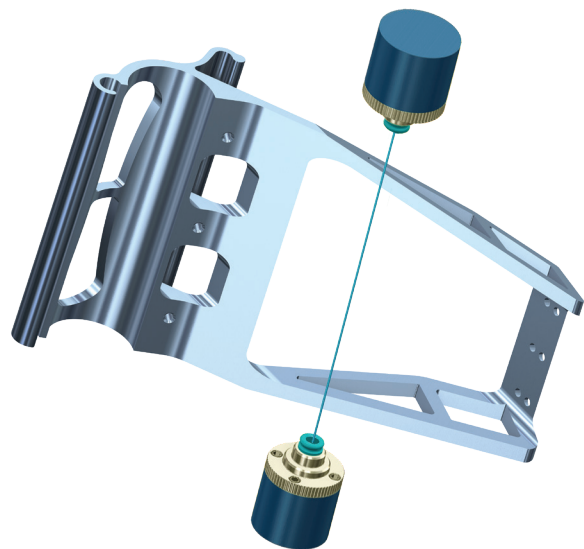
Machine support is available for Mitsubishi, Sodick, Makino, AgieCharmilles, and many others.

Expand your shop's capabilities.

For basic 2-axis contouring and complex 4-axis motion, you can be ready for any job. Mastercam delivers:

- **Contouring** made easy in 2- or 4-axis.
- Automatic lead-in and lead-out strategies.
- **Automatic or manual** 4-axis syncing.
- Automatic skim and reverse cuts.

Open virtually any CAD file or use Mastercam's built-in 3D modeling tools.



For more information, contact a local Mastercam expert at [Mastercam.com/Resellers](https://www.mastercam.com/Resellers).